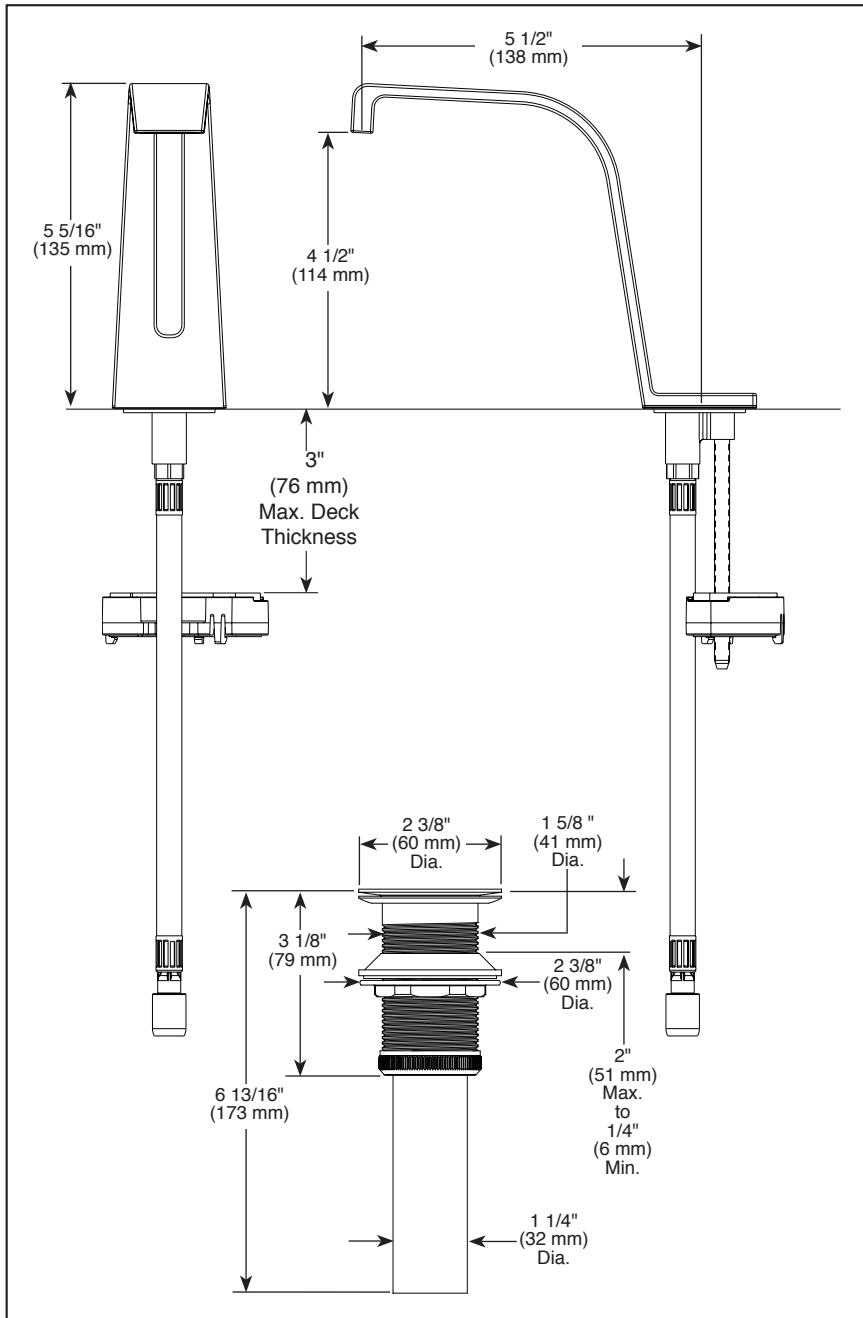


Submitted Model No.: _____

Specific Features: _____



FIRST WAVESM

THE INNOVATION LAB
AT DELTA FAUCET COMPANY

PRECISION HANDWASH FAUCET

- Rustic Stainless Finish
- Proximity[®] Controlled On/Off Operation

STANDARD SPECIFICATIONS

- Maximum 1.2 gpm @ 60 psi, 4.5 L/min @ 414 kPa
- Single hole mount
- Model includes:
 - 20" (508 mm) supply lines
 - Temperature mixing "T"
 - Grid Strainer - RP72411-SL

LIMITED WARRANTY

- Parts and Finish - 2 years from the date of purchase.
- Electronic Parts (if applicable) - 2 years from the date of purchase; or for commercial purchasers, 1 year from the date of purchase. No warranty is provided on batteries.

COMPLIES WITH:

- ASME A112.18.1 / CSA B125.1
- ASME A112.18.2 / CSA B125.2
- EPA WaterSense[®]
- Verified compliant with 0.25% weighted average Pb content regulations

First Wave Innovation Lab reserves the right (1) to make changes in specifications and materials, and (2) to change or discontinue models, both without notice or obligation. Dimensions are for reference only. See www.firstwavelab.com for finish options and product availability.

SP-L-FW150LF-RS Rev. B

First Wave Innovation Lab
55 E. 111th Street, Indianapolis, IN 46280
350 South Edgeware Road, St. Thomas, ON N5P 4L1
© 2019 Delta Faucet Company